

CESAB S200 0.8 - 2.0 tonne

Powered Stacker Trucks



Truck Specifications



CESAB S210 - S214 Truck Specifications

CHARACTERISTICS					
1.1	Manufacturer		CESAB	CESAB	CESAB
1.2	Model		S210	S212	S214
1.3	Drive		Electric	Electric	Electric
1.4	Operator type		Pedestrian	Pedestrian	Pedestrian
1.5	Load capacity/rated load	Q [kg]	1000	1200	1400
1.6	Load centre	c [mm]	600	600	600
1.8	Load distance, centre of support arm wheel to face of forks	x [mm]	657	639	639
1.9	Wheelbase	y [mm]	1190	1247	1247
WEIGHT					
2.1	Service weight including battery	[kg]	808	929	929
2.2	Axle load, with load, drive/castor/support arm wheel	[kg]	350/280/1185	400/290/1445	450/245/1640
2.3	Axle load, without load, drive/castor/support arm wheel	[kg]	350/230/235	400/250/285	450/200/285
WHEELS					
3.1	Drive/castor/fork wheel			Friction/Vulkollan/Vulkollan *)	
3.2	Wheel size, front	[mm]	Ø230x70	Ø230x70	Ø230x70
3.3	Wheel size, rear	[mm]	Ø85x95	Ø85x95	Ø85x95
3.4	Additional wheels (dimensions)	[mm]	Ø125x50	Ø125x50	Ø125x50
3.5	Wheels, number front/rear (x=driven wheels)		1x+2/2	1x+2/2	1x+2/2
3.6	Track width, front	b ₁₀ [mm]	550	550	550
3.7	Track width, rear	b ₁₁ [mm]	390	390	390
DIMENSIONS					
4.2	Height, mast lowered	h ₁ [mm]	2151 *)	2135 *)	2160 *)
4.3	Free lift	h ₂ [mm]	166 *)	166 *)	166 *)
4.4	Lift	h ₃ [mm]	3210 *)	3210 *)	3165 *)
	Lift height	h ₂₃ [mm]	3300 *)	3300 *)	3255 *)
4.5	Height, mast extended	h ₄ [mm]	3720 *)	3720 *)	3725 *)
4.8	Stand height (optional platform)	h ₇ [mm]	150	150	150
4.9	Height of tiller in drive position, min./max.	h ₁₄ [mm]	865/1235	865/1235	865/1235
4.15	Height, fork lowered	h ₁₃ [mm]	90	90	90
4.19	Overall length	l ₁ [mm]	1831	1906	1901
4.20	Length to face of forks	l ₂ [mm]	683	758	758
4.21	Overall width	b ₁ [mm]	770	770	770 *)
4.22	Fork dimensions	s/e/l [mm]	60/180/1150 *)	60/180/1150 *)	70/180/1150 *)
4.24	Fork-carriage width	b ₃ [mm]	674	674	674
4.25	Width over forks	b ₃ [mm]	570 *)	570 *)	570 *)
4.31	Ground clearance, with load, below mast	m ₁ [mm]	27	27	27
4.32	Ground clearance, centre of wheelbase	m ₂ [mm]	27	27	27
4.33	Aisle width for pallets 1000x1200 crossways	A _{st} [mm]	2231	2297	2297
4.34	Aisle width for pallets 800x1200 lengthways	A _{st} [mm]	2214	2286	2286
4.35	Turning radius	W ₉ [mm]	1340	1397	1397
PERFORMANCE DATA					
5.1	Travel speed, with/without load	[km/h]	6/6	6/6	6/6
5.2	Lift speed, with/without load	[m/s]	0.14/0.28	0.12/0.28	0.11/0.28
5.3	Lowering speed, with/without load	[m/s]	0.38/0.38	0.38/0.38	0.37/0.38
5.8	Max. gradeability, with/without load	[%]	8/12 ¹⁾	8/12 ¹⁾	8/12 ¹⁾
5.10	Service brake		Electromagnetic	Electromagnetic	Electromagnetic
ELECTRIC MOTOR					
6.1	Drive motor rating S2 60 min	[kW]	1.0	1.0	1.5
6.2	Lift motor rating at S3 15%	[kW]	2.2 ²⁾	2.2 ²⁾	2.2 ²⁾
6.4	Battery voltage/nominal capacity K ₅	[V/Ah]	24/150 ³⁾	24/225 ³⁾	24/225 ³⁾
6.5	Battery weight	[kg]	163 ³⁾	219 ³⁾	219 ³⁾
6.6	Energy Consumption according to VDI cycle	[kWh/h]		0.79	
OTHERS					
8.1	Type of drive control		CESAB Drive Control	CESAB Drive Control	CESAB Drive Control

¹⁾ Measured according to company standard

²⁾ S3 6%

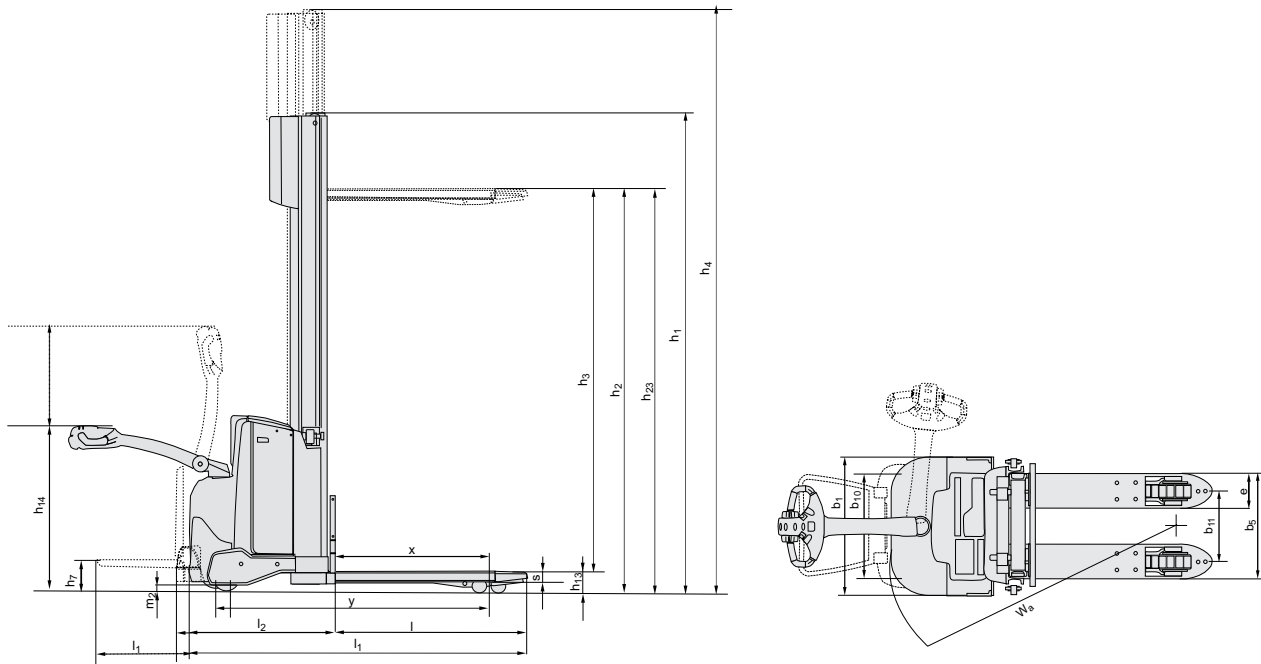
³⁾ Further alternatives are available and will produce other values.

Data is based on standard configurations: Small battery compartment (S210), medium battery compartment (S212 & S214)
h₂₃ = 3300 mm Duplex Tele mast (S210), h₂₃ = 3300 mm Duplex Tele open view mast (S212), h₂₃ = 3255 mm Duplex Tele open view mast (S214)

Truck performance and dimensions are nominal and subject to tolerances.
Products and specifications are subject to change without notice.



CESAB S210 - S214 Dimensional Drawings



Battery compartments

			S210			S212			S214		
Battery change			Lift out	Lift out	Lift out	Lift out	Lift out	Sideways	Lift out	Lift out	Sideways
Battery compartment			Small	Medium	Large	Medium	Large	Large	Medium	Large	Large
1.9	Wheelbase	y [mm]	1190	1247	1297	1247	1297	1297	1247	1297	1297
4.19	Overall length	without platform	l ₁ [mm]	1831	1888	1938	1906	1956	1956	1901	1951
		platform up/down	l ₁ [mm]	1918/2308	1975/2365	2023/2413	1991/2381	2041/2431	2041/2431	1986/2376	2036/2426
4.20	Length to face of forks	without platform	l ₂ [mm]	683	740	790	758	808	808	758	808
		platform up/down	l ₂ [mm]	768/1158	825/1215	875/1265	843/1233	893/1283	893/1283	843/1233	893/1283
4.33	Aisle width for pallets 1000x1200 crossways	without platform	A _{st} [mm]	2231	2288	2338	2297	2347	2347	2297	2347
		platform up/down	A _{st} [mm]	2316/2716	2373/2773	2423/2823	2382/2782	2432/2832	2432/2832	2382/2782	2432/2832
4.34	Aisle width for pallets 800x1200 lengthways	without platform	A _{st} [mm]	2214	2271	2321	2286	2336	2336	2286	2336
		platform up/down	A _{st} [mm]	2299/2699	2356/2756	2406/2806	2371/2771	2421/2821	2421/2821	2371/2771	2421/2821
4.35	Turning radius	without platform	W _a [mm]	1340	1397	1447	1397	1447	1447	1397	1447
		platform up/down	W _a [mm]	1425/1825	1482/1882	1532/1932	1482/1882	1532/1932	1532/1932	1482/1882	1532/1932
6.4	Battery voltage, nominal capacity K _s	[V/Ah]	24/150	24/225	24/300	24/225	24/300	24/260	24/225	24/300	24/260
6.5	Battery weight, min.-max.	[kg]	120-165	189-250	230-280	189-250	230-280	209-205	189-250	230-280	209-250

Mast Specifications

S210	Simplex		Duplex Tele			Duplex Tele Open View		
h ₂₃ Lift height (h ₁₃ +h ₃)	[mm]	1400 1700	2700	2900	3300	2700	2900	3300
h ₃ Lift	[mm]	1310 1610	2610	2810	3210	2610	2810	3210
h ₁ Height, mast lowered	[mm]	1825 2125	1848	1948	2148	1843	1943	2143
h ₂ Free lift, ground to top of forks	[mm]	1400 1700	76	76	76	76	76	76
h ₄ Height, mast extended	[mm]	1825 2125	3125	3325	3725	3120	3320	3720

S212	Simplex	Duplex Tele					Duplex Tele Open View					Duplex Freelifft					Triplex Freelifft				
h ₂₃ Lift height (h ₁₃ +h ₃)	[mm]	1400 1700	2700	2900	3300	3700	4150	2700	2900	3300	3700	4150	2700	2900	3300	3700	4150	3300	3700	4150	4500
h ₃ Lift	[mm]	1310 1610	2610	2810	3210	3610	4060	2610	2810	3210	3610	4060	2610	2810	3210	3610	4060	3210	4060	4060	4410
h ₁ Height, mast lowered	[mm]	1825 2125	1843	1943	2143	2343	2568	1843	1943	2143	2343	2568	1843	1943	2143	2343	2568	1720	1854	2004	2120
h ₂ Free lift, ground to top of forks	[mm]	1400 1700	76	76	76	76	76	76	76	76	76	76	1330	1430	1630	1830	2054	1180	1314	1464	1580
h ₄ Height, mast extended	[mm]	1825 2125	3125	3325	3725	4125	4575	3120	3320	3720	4120	4570	3141	3341	3741	4141	4591	3747	4149	4599	4947

S214	Duplex Tele Open View					Duplex Freelifft					Triplex Freelifft					
h ₂₃ Lift height (h ₁₃ +h ₃)	[mm]	2655	2855	3255	3655	4105	2655	2855	3255	3655	4105	3255	3655	4105	4455	4755
h ₃ Lift	[mm]	2565	2765	3165	3565	4015	2565	2765	3165	3565	4015	3165	3565	4015	4365	4665
h ₁ Height, mast lowered	[mm]	1868	1968	2168	2368	2593	1843	1943	2143	2343	2568	1720	1854	2004	2120	2220
h ₂ Free lift, ground to top of forks	[mm]	76	76	76	76	76	1284	1384	1584	1784	2009	1134	1268	1418	1534	1634
h ₄ Height, mast extended	[mm]	3125	3325	3725	4125	4575	3141	3341	3741	4141	4591	3747	4149	4599	4947	5247

CESAB S208L Truck Specifications

CHARACTERISTICS				Elevating support arms
1.1	Manufacturer			CESAB
1.2	Model			S208L
1.3	Drive			Electric
1.4	Operator type			Pedestrian
1.5	Load capacity/rated load	Q	[kg]	800
	Support arm capacity/fork and support arm capacity	Q	[kg]	2000/-
1.6	Load centre	c	[mm]	600
1.8	Load distance, centre of support arm wheel to face of forks	x	[mm]	874
1.9	Wheelbase	y	[mm]	1293
WEIGHT				
2.1	Service weight including battery		[kg]	679
2.2	Axle load, with load, drive/castor/support arm wheel		[kg]	525/150/830
2.3	Axle load, without load, drive/castor/support arm wheel		[kg]	375/150/180
WHEELS				
3.1	Drive/castor/fork wheel			Friction/Vulkollan/Vulkollan *)
3.2	Wheel size, front		[mm]	Ø230x70
3.3	Wheel size, rear		[mm]	Ø85x74
3.4	Additional wheels (dimensions)		[mm]	Ø125x50
3.5	Wheels, number front/rear (x=driven wheels)			1x+2/4
3.6	Track width, front	b ₁₀	[mm]	430
3.7	Track width, rear	b ₁₁	[mm]	390
DIMENSIONS				
4.2	Height, mast lowered	h ₁	[mm]	1863 *)
4.3	Free lift	h ₂	[mm]	1580 *)
4.4	Lift	h ₃	[mm]	1490 *)
	Lift height	h ₂₃	[mm]	1580 *)
4.5	Height, mast extended	h ₄	[mm]	1863 *)
4.6	Initial lift	h ₅	[mm]	120
4.9	Height of tiller in drive position, min./max.	h ₁₄	[mm]	865/1235
4.15	Height, fork lowered	h ₁₃	[mm]	90
4.19	Overall length	l ₁	[mm]	1777
4.20	Length to face of forks	l ₂	[mm]	628
4.21	Overall width	b ₁	[mm]	726
4.22	Fork dimensions	s/e/l	[mm]	60/180/1150 *)
4.24	Fork-carriage width	b ₃	[mm]	674
4.25	Width over forks	b ₅	[mm]	570 *)
4.31	Ground clearance, with load, below mast	m ₁	[mm]	25
4.32	Ground clearance, centre of wheelbase	m ₂	[mm]	25
4.33	Aisle width for pallets 1000x1200 crossways	A _{st}	[mm]	2256
4.34	Aisle width for pallets 800x1200 lengthways	A _{st}	[mm]	2159
4.35	Turning radius	W ₈	[mm]	1443
PERFORMANCE DATA				
5.1	Travel speed, with/without load		[km/h]	6/6
5.2	Lift speed, with/without load		[m/s]	0.14/0.21
5.3	Lowering speed, with/without load		[m/s]	0.29/0.20
5.8	Max. gradeability, with/without load		[%]	9/18 ¹⁾
5.10	Service brake			Electromagnetic
ELECTRIC MOTOR				
6.1	Drive motor rating S2 60 min		[kW]	1.0
6.2	Lift motor rating at S3 15%		[kW]	2.0 ²⁾
6.4	Battery voltage/nominal capacity K ₅		[V/Ah]	2x12/180 ^{*)}
6.5	Battery weight		[kg]	2x109 ^{*)}
6.6	Energy Consumption according to VDI cycle		[kWh/h]	0.49
OTHERS				
8.1	Type of drive control			CESAB Drive Control

¹⁾ Measured according to company standard

²⁾ S3 7%

^{*)} Further alternatives are available and will produce other values.

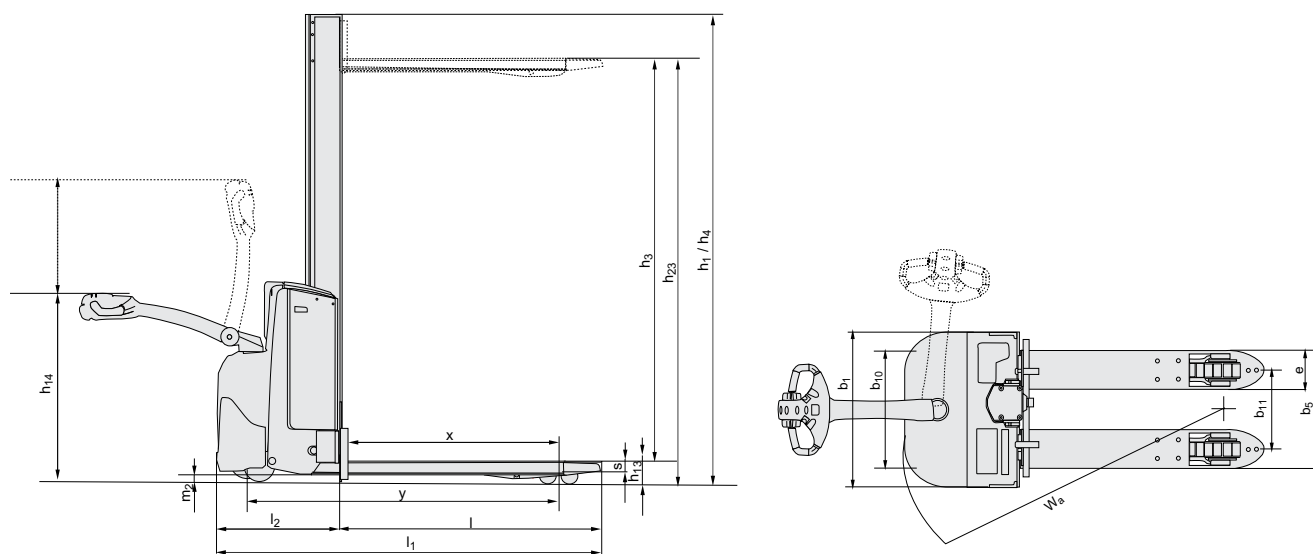
Data is based on standard configurations: h₂₃ = 1580 mm Mono mast

Truck performance and dimensions are nominal and subject to tolerances.

Products and specifications are subject to change without notice.



CESAB S208L Dimensional Drawings



Mast Specifications

S208L			Mono	
h_{23}	Lift height ($h_{13}+h_3$)	[mm]	600	1580
h_3	Lift	[mm]	510	1490
h_1	Height, mast lowered	[mm]	908	1863
h_2	Free lift, ground to top of forks	[mm]	600	1580
h_4	Height, mast extended	[mm]	908	1863

CESAB S212L - S214L - S220D Truck Specifications

CHARACTERISTICS			Elevating Support Arms	Elevating Support Arms	Double Stacker
1.1	Manufacturer		CESAB	CESAB	CESAB
1.2	Model		S212L	S214L	S220D
1.3	Drive		Electric	Electric	Electric
1.4	Operator type		Pedestrian	Pedestrian	Pedestrian
1.5	Load capacity/rated load	Q [kg]	1200	1400	1000
	Support arm capacity/fork and support arm capacity	Q [kg]	1600/-	2000/-	2000/800+1200
1.6	Load centre	c [mm]	600	600	600
1.8	Load distance, centre of support arm wheel to face of forks	x [mm]	632	632	873
1.9	Wheelbase	y [mm]	1302	1302	1483
WEIGHT					
2.1	Service weight including battery	[kg]	929	929	879
2.2	Axle load, with load, drive/castor/support arm wheel	[kg]	450/340/1345	450/360/1525	570/360/1155
2.3	Axle load, without load, drive/castor/support arm wheel	[kg]	450/220/265	450/220/265	570/100/215
WHEELS					
3.1	Drive/castor/fork wheel		Friction/Vulkollan/Vulkollan *)	Friction/Vulkollan/Vulkollan	Friction/Vulkollan/Vulkollan *)
3.2	Wheel size, front	[mm]	Ø230x70	Ø230x70	Ø230x70
3.3	Wheel size, rear	[mm]	Ø85x74	Ø85x74	Ø85x74
3.4	Additional wheels (dimensions)	[mm]	Ø125x50	Ø125x50	Ø125x50
3.5	Wheels, number front/rear (x=driven wheels)		1x+2/4	1x+2/4	1x2/4
3.6	Track width, front	b ₁₀ [mm]	550	550	550
3.7	Track width, rear	b ₁₁ [mm]	390	390	390
DIMENSIONS					
4.2	Height, mast lowered	h ₁ [mm]	2135 *)	2160 *)	1535 *)
4.3	Free lift	h ₂ [mm]	166 *)	166 *)	166 *)
4.4	Lift	h ₃ [mm]	3210 *)	3165 *)	2010 *)
	Lift height	h ₂₃ [mm]	3300 *)	3255 *)	2100 *)
4.5	Height, mast extended	h ₄ [mm]	3720 *)	3725 *)	2520 *)
4.6	Initial lift	h ₅ [mm]	120	120	120
4.8	Stand height (optional platform)	h ₇ [mm]	150	150	150
4.9	Height of tiller in drive position, min./max.	h ₁₄ [mm]	865/1235	865/1235	865/1235
4.15	Height, fork lowered	h ₁₃ [mm]	90	90	90
4.19	Overall length	l ₁ [mm]	1910	1910	1910
4.20	Length to face of forks	l ₂ [mm]	753	761	760
4.21	Overall width	b ₁ /b ₂ [mm]	770	770 *)	770
4.22	Fork dimensions	s/e/l [mm]	60/180/1150 *)	70/180/1150 *)	60/180/1150 *)
4.24	Fork-carriage width	b ₃ [mm]	674	674	674
4.25	Width over forks	b ₅ [mm]	570 *)	570 *)	570 *)
4.31	Ground clearance, with load, below mast	m ₁ [mm]	22	22	22
4.32	Ground clearance, centre of wheelbase	m ₂ [mm]	22	22	22
4.33	Aisle width for pallets 1000x1200 crossways	A _{st} [mm]	2293	2297	2452
4.34	Aisle width for pallets 800x1200 lengthways	A _{st} [mm]	2281	2288	2356
4.35	Turning radius	W _a [mm]	1393	1393	1639
PERFORMANCE DATA					
5.1	Travel speed, with/without load	[km/h]	6/6	6/6	6/6
5.2	Lift speed, with/without load	[m/s]	0.12/0.27	0.11/0.27	0.12/0.25
5.3	Lowering speed, with/without load	[m/s]	0.38/0.32	0.37/0.32	0.39/0.28
5.8	Max. gradeability, with/without load	[%]	9/12 ¹⁾	8/12 ¹⁾	7/12 ¹⁾
5.10	Service brake		Electromagnetic	Electromagnetic	Electromagnetic
ELECTRIC MOTOR					
6.1	Drive motor rating S2 60 min	[kW]	1.5	1.5	1.5
6.2	Lift motor rating at S3 15%	[kW]	2.2 ²⁾	2.2 ²⁾	2.2 ²⁾
6.4	Battery voltage/nominal capacity K ₅	[V/Ah]	24/225 *)	24/225 *)	24/225 *)
6.5	Battery weight	[kg]	219 *)	219 *)	219 *)
6.6	Energy Consumption according to VDI cycle	[kWh/h]			0.65'
OTHERS					
8.1	Type of drive control		CESAB Drive Control	CESAB Drive Control	CESAB Drive Control

¹⁾ Measured according to company standard

²⁾ S3 6%

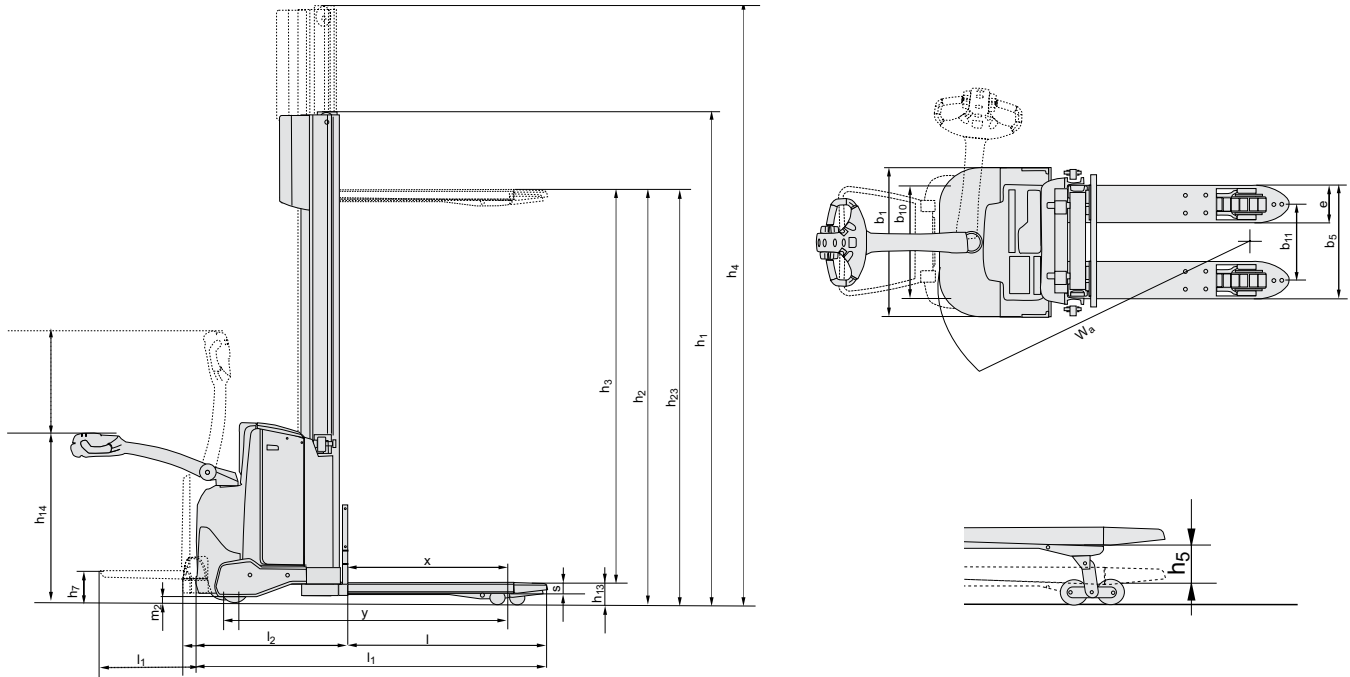
³⁾ Further alternatives are available and will produce other values.

Data is based on standard configurations: medium battery compartment, h₂₃ = 3300 mm (S212L), 3255 mm (S214L) and 2100 mm (S220D) Duplex Tele Open View mast.

Truck performance and dimensions are nominal and subject to tolerances. Products and specifications are subject to change without notice.



CESAB S212L - S214L - S220D Dimensional Drawings



Battery compartments

		S212L				S214L				S220D				
Battery change		Lift out	Lift out	Lift out	Sideways	Lift out	Lift out	Lift out	Sideways	Lift out	Lift out	Sideways		
Battery compartment		Medium	Large	DIN	Large	Medium	Large	DIN	Large	Medium	Large	Large		
1.9	Wheelbase	y	[mm]	1302	1352	1592	1352	1302	1352	1592	1352	1483	1533	1533
4.19	Overall length	without platform	l_1	[mm]	1910	1960	1960	1960	1910	1960	1960	1910	1960	1960
		platform up/down	l_1	[mm]	1995/2385	2045/2435	-	2045/2435	1995/2385	2045/2435	-	2045/2435	1995/2385	2045/2435
4.20	Length to face of forks	without platform	l_2	[mm]	753	803	810	803	761	811	810	811	760	810
		platform up/down	l_2	[mm]	838/1228	888/1278	-	888/1278	846/1236	896/1286	-	896/1286	845/1235	895/1285
4.33	Aisle width for pallets 1000x1200 crossways	without platform	A_{st}	[mm]	2293	2343	2573	2449	2297	2347	2573	2347	2452	2502
		platform up/down	A_{st}	[mm]	2378/2778	2428/2828	-	2428/2828	2428/2828	2382/2782	-	2432/2832	2537/2937	2587/2987
4.34	Aisle width for pallets 800x1200 lengthways	without platform	A_{st}	[mm]	2281	2331	2552	2331	2288	2338	2552	2338	2355	2405
		platform up/down	A_{st}	[mm]	2366/2766	2416/2816	-	2416/2816	2373/2773	2423/2823	-	2423/2823	2440/2840	2490/2890
4.35	Turning radius	without platform	W_a	[mm]	1293	1443	1698	1443	1393	1443	1698	1443	1639	1689
		platform up/down	W_a	[mm]	1478/1878	1528/1928	-	1528/1928	2478/1878	1528/1928	-	1528/1928	1724/2124	1774/2174
6.4	Battery voltage, nominal capacity K_5		[V/Ah]	24/225	24/300	24/375	24/260	24/225	24/300	24/375	24/260	24/225	24/300	24/260
6.5	Battery weight, min.-max.		[kg]	189 - 250	230 - 280	230 - 305	209 - 250	189-250	230-280	230 - 305	209 - 250	180 - 250	233 - 280	209 - 250

Mast Specifications

S212L	Simplex	Duplex Tele					Duplex Tele Open View					Duplex Freelifft					Triplex Freelifft						
h_{23}	Lift height ($h_{13}+h_3$)	[mm]	1400	1700	2700	2900	3300	3700	4150	2700	2900	3300	3700	4150	2700	2900	3300	3700	4150	3300	3700	4150	4500
h_3	Lift	[mm]	1310	1610	2610	2810	3210	3610	4060	2610	2810	3210	3610	4060	2610	2810	3210	3610	4060	3210	3610	4060	4410
h_1	Height, mast lowered	[mm]	1825	2125	1843	1943	2143	2343	2568	1843	1943	2143	2343	2568	1843	1943	2143	2343	2568	1720	1854	2004	2120
h_2	Free lift, ground to top of forks	[mm]	1400	1700	76	76	76	76	76	76	76	76	76	76	1330	1430	1630	1830	2054	1180	1314	1464	1580
h_4	Height, mast extended	[mm]	1825	2125	3125	3325	3725	4125	4575	3120	3320	3720	4120	4570	3341	3341	3741	4141	4591	3747	4149	4599	4947

S214L	Duplex Tele Open View	Duplex Freelifft					Triplex Freelifft										
h_{23}	Lift height ($h_{13}+h_3$)	[mm]	2655	2855	3255	3655	4105	2655	2855	3255	3655	4105	3255	3655	4105	4455	4755
h_3	Lift	[mm]	2565	2765	3165	3565	4015	2565	2765	3165	3565	4015	3165	3565	4015	4365	4665
h_1	Height, mast lowered	[mm]	1868	1968	2168	2368	2593	1843	1943	2143	2343	2568	1720	1854	2004	2120	2220
h_2	Free lift, ground to top of forks	[mm]	76	76	76	76	76	1284	1384	1584	1784	2009	1134	1268	1418	1534	1634
h_4	Height, mast extended	[mm]	3125	3325	3725	4125	4575	3141	3341	3741	4141	4591	3747	4149	4599	4947	5247

S220D	Duplex Tele	Duplex Tele Open View					
h_{23}	Lift height ($h_{13}+h_3$)	[mm]	1700	1900	2100	2300	2500
h_3	Lift	[mm]	1610	1810	2010	2210	2410
h_1	Height, mast lowered	[mm]	1348	1448	1548	1648	1748
h_2	Free lift, ground to top of forks	[mm]	76	76	76	76	76
h_4	Height, mast extended	[mm]	2125	2325	2525	2725	2925

CESAB S212S Truck Specifications

CHARACTERISTICS				Straddle Support Arms
1.1	Manufacturer			CESAB
1.2	Model			S212S
1.3	Drive			Electric
1.4	Operator type			Pedestrian
1.5	Load capacity/rated load	Q	[kg]	1200
1.6	Load centre	c	[mm]	600
1.8	Load distance, centre of support arm wheel to face of forks	x	[mm]	569
1.9	Wheelbase	y	[mm]	1203
WEIGHT				
2.1	Service weight including battery		[kg]	1009
2.2	Axle load, with load, drive/castor/support arm wheel		[kg]	635/1580
2.3	Axle load, without load, drive/castor/support arm wheel		[kg]	675/340
WHEELS				
3.1	Drive/castor/fork wheel			Friction/Vulkollan/Vulkollan *)
3.2	Wheel size, front		[mm]	Ø230x70
3.3	Wheel size, rear		[mm]	Ø100x73
3.5	Wheels, number front/rear (x=driven wheels)			1x/2
3.7	Track width, rear	b ₁₁	[mm]	1000
DIMENSIONS				
4.2	Height, mast lowered	h ₁	[mm]	1832 *)
4.3	Free lift	h ₂	[mm]	1380 *)
4.4	Lift	h ₃	[mm]	2655 *)
	Lift height	h ₂₃	[mm]	2655 *)
4.5	Height, mast extended	h ₄	[mm]	3226 *)
4.8	Stand height (optional platform)	h ₇	[mm]	150
4.9	Height of tiller in drive position, min./max.	h ₁₄	[mm]	865/1235
4.10	Height of support arm	h ₁₀	[mm]	100
4.15	Height, fork lowered	h ₁₃	[mm]	50
4.19	Overall length	l ₁	[mm]	1946
4.20	Length to face of forks	l ₂	[mm]	784
4.21	Overall width	b ₁ /b ₂	[mm]	770/1100 *)
4.22	Fork dimensions	s/e/l	[mm]	40/100/1150 *)
4.24	Fork-carriage width	b ₃	[mm]	840
4.25	Width over forks	b ₅	[mm]	252—800
4.26	Distance between support arms	b ₄	[mm]	900 *)
4.31	Ground clearance, with load, below mast	m ₁	[mm]	32
4.32	Ground clearance, centre of wheelbase	m ₂	[mm]	40
4.33	Aisle width for pallets 1000x1200 crossways	A _{st}	[mm]	2292
4.34	Aisle width for pallets 800x1200 lengthways	A _{st}	[mm]	2300
4.35	Turning radius	W ₈	[mm]	1353
PERFORMANCE DATA				
5.1	Travel speed, with/without load		[km/h]	6/6
5.2	Lift speed, with/without load		[m/s]	0.11/0.21
5.3	Lowering speed, with/without load		[m/s]	0.33/0.24
5.8	Max. gradeability, with/without load		[%]	8/10 ¹⁾
5.10	Service brake			Electromagnetic
ELECTRIC MOTOR				
6.1	Drive motor rating S2 60 min		[kW]	1.0
6.2	Lift motor rating at S3 15%		[kW]	2.2 ²⁾
6.4	Battery voltage/nominal capacity K ₅		[V/Ah]	24/225 *)
6.5	Battery weight		[kg]	219 *)
6.6	Energy Consumption according to VDI cycle		[kWh/h]	0.70
OTHERS				
8.1	Type of drive control			CESAB Drive Control

¹⁾ Measured according to company standard

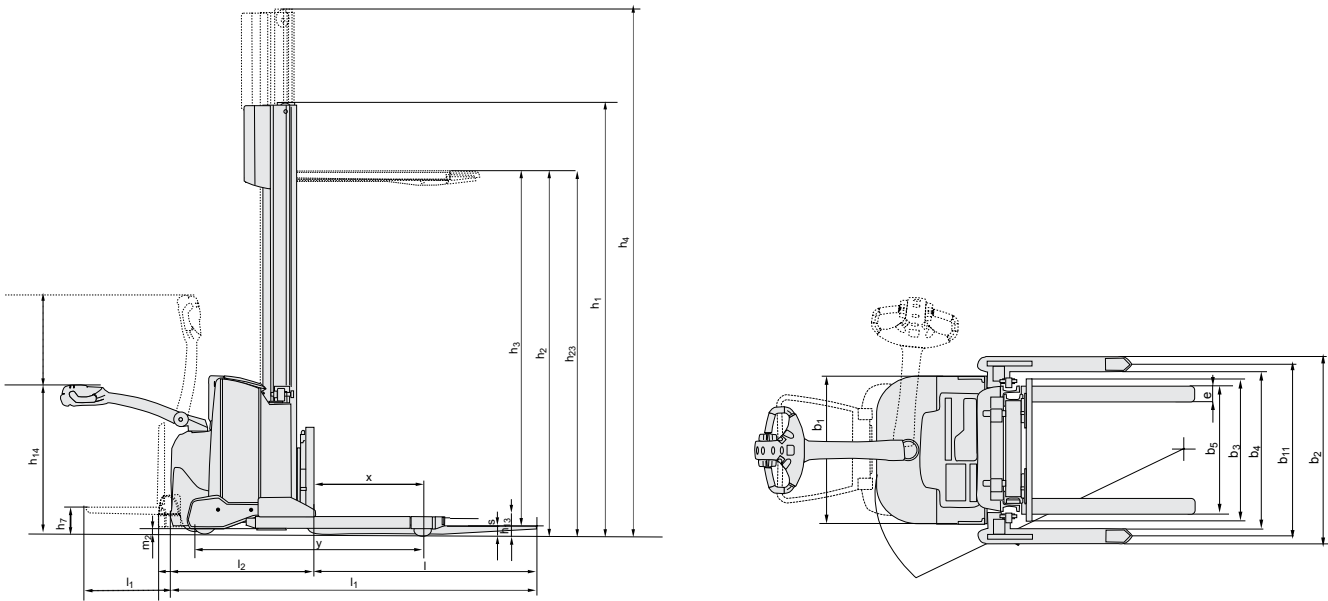
²⁾ S3 6%

³⁾ Further alternatives are available and will produce other values.

Data is based on standard configurations: medium battery compartment, h₂₃ = 2655 mm Duplex Freelif mast (S212S).
Truck performance and dimensions are nominal and subject to tolerances.
Products and specifications are subject to change without notice.



CESAB S212S Dimensional Drawings



Battery compartments

				S212S	
Battery change				Medium	Large
1.9	Wheelbase	y	[mm]	1203	1253
4.19	Overall length	without platform platform up/down	l_1 [mm] l_1 [mm]	1946 2031/2421	1996 2081/2471
4.20	Length to face of forks	without platform platform up/down	l_2 [mm] l_2 [mm]	784 869/1259	834 919/1309
4.33	Aisle width for pallets 1000x1200 crossways	without platform platform up/down	A_{st} [mm] A_{st} [mm]	2292 2377/2777	2342 2427/2827
4.34	Aisle width for pallets 800x1200 lengthways	without platform platform up/down	A_{st} [mm] A_{st} [mm]	2300 2385/2785	2350 2435/2835'
4.35	Turning radius	without platform platform up/down	W_a [mm] W_a [mm]	1353 1438/1838	1403 1488/1888
6.4	Battery voltage, nominal capacity K_5		[V/Ah]	24/225	24/300
6.5	Battery weight, min.-max.		kg	189-250	230-280

Mast Specifications

S212S	Simplex	Duplex Tele		Duplex Tele Open View			Duplex Freelift			Triplex Freelift		
h_{23} Lift height ($h_{13}+h_3$)	[mm]	1355 1655	2655 2855 3255 3655 4105	2655 2855 3255 3655 4105	2655 2855 3255 3655 4105	2655 2855 3255 3655 4105	3255 3655 4105 4455 4755					
h_3 Lift	[mm]	1305 1605	2605 2805 3205 3605 4005	2605 2805 3205 3605 4005	2605 2805 3205 3605 4005	2605 2805 3205 3605 4005	3205 3605 4005 4405 4705					
h_1 Height, mast lowered	[mm]	1822 2122	1845 1945 2145 2345 2570	1840 1940 2140 2340 2565	1840 1940 2140 2340 2565	1840 1940 2140 2340 2565	1717 1851 2001 2117 2217					
h_2 Free lift, ground to top of forks	[mm]	1355 1655	76 76 76 76 76	76 76 76 76 76	76 76 76 76 76	1330 1430 1630 1830 2054	1180 1314 1464 1580 1680					
h_4 Height, mast extended	[mm]	1901 2201	3205 3405 3805 4205 4655	3205 3405 3805 4205 4655	3226 3426 3826 4226 4676	3226 3426 3826 4226 4676	3822 4224 4674 5022 5322					

CESAB S215 - S216 - 220 Truck Specifications

CHARACTERISTICS						
1.1	Manufacturer		CESAB	CESAB	CESAB	
1.2	Model		S215	S216	S220	
1.3	Drive		Electric	Electric	Electric	
1.4	Operator type		Pedestrian	Pedestrian	Pedestrian	
1.5	Load capacity/rated load	Q	[kg]	1450	1600	2000
1.6	Load centre	c	[mm]	600	600	600
1.8	Load distance, centre of support arm wheel to face of forks	x	[mm]	649	649	638
1.9	Wheelbase	y	[mm]	1344	1344	1344
WEIGHT						
2.1	Service weight including battery		[kg]	1439	1439	1660
2.2	Axle load, with load, drive/castor/support arm wheel		[kg]	510/481/1898	580/416/2043	600/521/2539
2.3	Axle load, without load, drive/castor/support arm wheel		[kg]	360/578/501	380/558/501	360/704/596
WHEELS						
3.1	Drive/castor/fork wheel			Friction/Vulkollan®/Vulkollan®		
3.2	Wheel size, front		[mm]	Ø 230	Ø 230	Ø 230
3.3	Wheel size, rear		[mm]	Ø 85	Ø 85	Ø 85
3.4	Additional wheels (dimensions)		[mm]	Ø 125	Ø 125	Ø 125
3.5	Wheels, number front/rear (x=driven wheels)			1x + 2 / 4	1x + 2 / 4	1x + 2 / 4
3.6	Track width, front	b ₁₀	[mm]	585	585	585
3.7	Track width, rear	b ₁₁	[mm]	370	370	390
DIMENSIONS						
4.2	Height, mast lowered	h ₁	[mm]	1946	1946	1946
4.3	Free lift	h ₂	[mm]	1478	1478	1378
4.4	Lift	h ₃	[mm]	4060	4060	3960
	Lift height	h ₁₋₂₃	[mm]	4150	4150	4050
4.5	Height, mast extended	h ₄	[mm]	4668	4668	4668
4.9	Height of tiller in drive position, min./max.	h ₁₄	[mm]	869/1294	869/1294	869/1294
4.15	Height, fork lowered	h ₁₃	[mm]	90	90	90
4.19	Overall length	l ₁	[mm]	1999	1999	2010
4.20	Length to face of forks	l ₂	[mm]	849	849	860
4.21	Overall width	b ₁	[mm]	790/—	790/—	790/—
4.22	Fork dimensions	s/e/l	[mm]	70/180/1150	70/180/1150	70/185/1150
4.25	Width over forks	b ₅	[mm]	570	570	575
4.32	Ground clearance, centre of wheelbase	m ₂	[mm]	27,5	27,5	27,5
4.33	Aisle width for pallets 1000x1200 crossways	A _{st}	[mm]	2486	2486	2493
4.34	Aisle width for pallets 800x1200 lengthways	A _{st}	[mm]	2385	2385	2394
4.35	Turning radius	W _a	[mm]	1504	1504	1504
PERFORMANCE DATA						
5.1	Travel speed, with/without load		[km/h]	6,0/6,0	6,0/6,0	6,0/6,0
5.2	Lift speed, with/without load		[m/s]	0,17/0,33	0,17/0,33	0,13/0,24
5.3	Lowering speed, with/without load		[m/s]	0,45/0,45	0,45/0,45	0,45/0,45
5.8	Max. gradeability, with/without load ¹⁾		[%]	8/12	8/12	8/12
5.9	Acceleration time (over 10 m)		[s]	7,1	7,2	7,4
5.10	Service brake			Electromagnetic	Electromagnetic	Electromagnetic
ELECTRIC MOTOR						
6.1	Drive motor rating S2 60 min		[kW]	1,8	1,8	1,8
6.2	Lift motor rating at S3 15%		[kW]	3	3	3
6.4	Battery voltage/nominal capacity K ₅		[V/Ah]	24/300	24/300	24/300
6.5	Battery weight		[kg]	195-270	195-310	195-310
6.6	Energy consumption acc to VDI cycle		[kW/h/h]	1,078	1,078	1,078
OTHERS						
8.1	Type of drive control			CESAB Drive Control	CESAB Drive Control	CESAB Drive Control
8.4	Sound level at the driver's ear according to EN 12 053		[dB (A)]	66	66	67

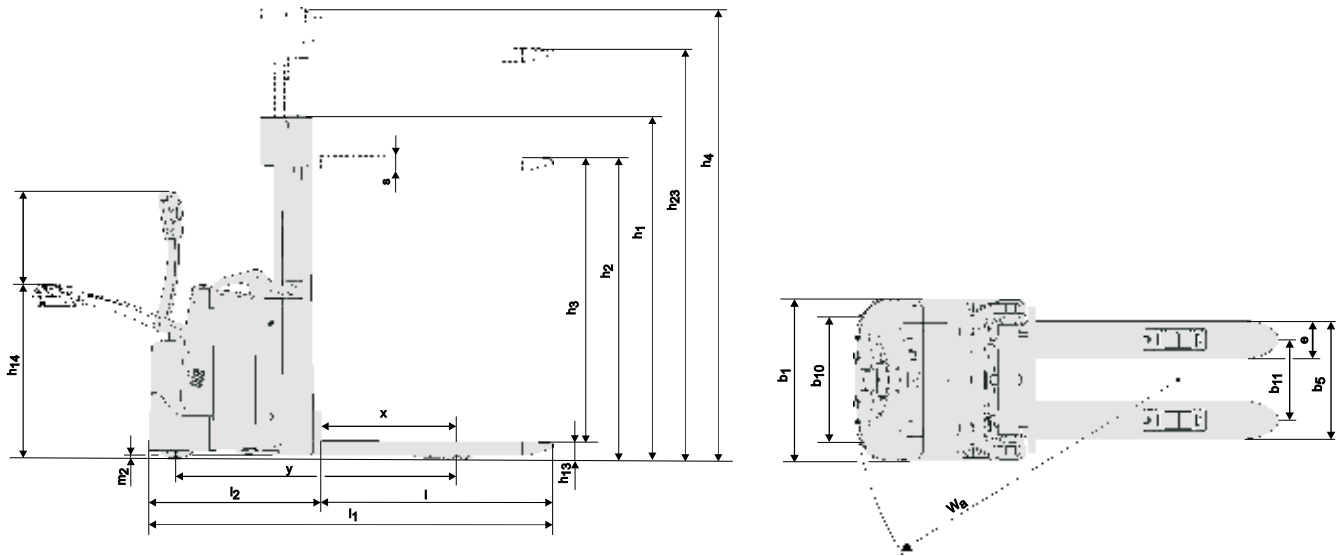
¹⁾ Measured according to company standard

Data is based on standard configurations.

Truck performance and dimensions are nominal and subject to tolerances. Products and specifications are subject to change without notice.



CESAB S215 - S216 - S220 Dimensional Drawings



Battery compartments

		S215				S216				S220			
		Lift out		Sideways		Lift out		Sideways		Lift out		Sideways	
Battery compartment		S	L	S	L	S	L	S	L	S	L	S	L
1.9 Wheelbase	y [mm]	1344	1441	1344	1441	1344	1441	1344	1441	1344	1441	1344	1441
4.19 Overall length	l ₁ [mm]	1999	2096	1999	2096	1999	2096	1999	2096	2010	2107	2010	2107
4.20 Length to face of forks	l ₂ [mm]	849	946	849	946	849	946	849	946	860	957	860	957
4.33 Aisle width for pallets 1000x1200 crossways	A ₃₃ [mm]	2486	2582	2486	2582	2486	2582	2486	2582	2493	2589	2493	2589
4.34 Aisle width for pallets 800x1200 lengthways	A ₃₄ [mm]	2385	2481	2385	2481	2385	2481	2385	2481	2394	2490	2394	2490
4.35 Turning radius	W ₃ [mm]	1504	1600	1504	1600	1504	1600	1504	1600	1504	1600	1504	1600
6.4 Battery voltage, nominal capacity K ₅	[V/Ah]	24/300	24/500	24/300	24/500	24/300	24/500	24/300	24/500	24/300	24/500	24/300	24/500
6.5 Battery weight, min.—max.	[kg]	195-270	345-405	195-310	345-405	195-310	345-405	195-300	345-405	195-310	345-405	195-310	345-405

Mast Specifications

S215	Duplex Tele Open View					Duplex Freelifft					Triplex Freelifft							
h ₂₃ Lift height (h ₁₃ +h ₃) [mm]	2350	2800	3300	3700	4150	2350	2500	2800	3300	3700	4150	3300	3700	3950	4150	4500	4800	5400
h ₃ Lift [mm]	2260	2710	3210	3610	4060	2260	2410	2710	3210	3610	4060	3210	3610	3860	4060	4410	4710	5310
h ₁ Height, mast lowered [mm]	1744	1969	2219	2419	2644	1743	1818	1961	2218	2418	2643	1671	1805	1888	1955	2071	2171	2371
h ₂ Free lift, ground to top of forks [mm]	—	—	—	—	—	1256	1332	1482	1732	1932	2156	1194	1328	1410	1478	1594	1694	1894
h ₄ Height, mast extended [mm]	2892	3342	3842	4242	4692	2891	3041	3341	3841	4241	4691	3816	4218	4467	4668	5016	5316	5916

S216	Duplex Tele Open View					Duplex Freelifft					Triplex Freelifft							
h ₂₃ Lift height (h ₁₃ +h ₃) [mm]	2350	2800	3300	3700	4150	2350	2500	2800	3300	3700	4150	3300	3700	3950	4150	4500	4800	5400
h ₃ Lift [mm]	2260	2710	3210	3610	4060	2260	2410	2710	3210	3610	4060	3210	3610	3860	4060	4410	4710	5310
h ₁ Height, mast lowered [mm]	1744	1969	2219	2419	2644	1743	1818	1968	2218	2418	2643	1671	1805	1888	1955	2071	2171	2371
h ₂ Free lift, ground to top of forks [mm]	—	—	—	—	—	1256	1332	1482	1732	1932	2156	1194	1328	1410	1478	1594	1694	1894
h ₄ Height, mast extended [mm]	2892	3342	3842	4242	4692	2891	3041	3341	3841	4241	4691	3816	4218	4467	4668	5016	5316	5916

S220	Duplex Tele Open View					Duplex Freelifft					Triplex Freelifft					
h ₂₃ Lift height (h ₁₃ +h ₃) [mm]	2150	2600	3100	3500	3950	2150	2300	2600	3100	3500	3950	3200	3600	3850	4050	4400
h ₃ Lift [mm]	2060	2510	3010	3410	3860	2060	2210	2510	3010	3410	3860	3110	3510	3760	3960	4310
h ₁ Height, mast lowered [mm]	1744	1969	2219	2419	2644	1744	1819	1969	2219	2419	2644	1671	1805	1888	1955	2071
h ₂ Free lift, ground to top of forks [mm]	—	—	—	—	—	1156	1232	1382	1632	1832	2056	1094	1228	1310	1378	1494
h ₄ Height, mast extended [mm]	2792	3242	3742	4142	4592	2792	2942	3242	3742	4142	4592	3816	4218	4467	4668	5016

CESAB S215L - S216L - S220L Truck Specifications

CHARACTERISTICS			Elevating Support Arms	Elevating Support Arms	Elevating Support Arms
1.1	Manufacturer		CESAB	CESAB	CESAB
1.2	Model		S215L	S216L	S220L
1.3	Drive		Electric	Electric	Electric
1.4	Operator type		Pedestrian	Pedestrian	Pedestrian
1.5	Load capacity/rated load	Q [kg]	1450	1600	2000
	Support arm capacity	Q [kg]	2000	2000	2000
1.6	Load centre	c [mm]	600	600	600
1.8	Load distance, centre of support arm wheel to face of forks				
	raised support arms	x [mm]	661	661	644
	lowered support arms	x [mm]	692	692	675
1.9	Wheelbase, raised support arms	y [mm]	1397	1397	1397
	Wheelbase, lowered support arms	y [mm]	1428	1428	1428
WEIGHT					
2.1	Service weight including battery	[kg]	1439	1439	1660
2.2	Axle load, with load, drive/castor/support arm wheel	[kg]	540/495/1854	560/484/1995	670/512/2478
2.3	Axle load, without load, drive/castor/support arm wheel	[kg]	400/545/494	400/545/494	400/674/586
WHEELS					
3.1	Drive/castor/fork wheel		Friction/Vulkollan®/Vulkollan®		
3.2	Wheel size, front	[mm]	Ø 230	Ø 230	Ø 230
3.3	Wheel size, rear	[mm]	Ø 85	Ø 85	Ø 85
3.4	Additional wheels (dimensions)	[mm]	Ø 125	Ø 125	Ø 125
3.5	Wheels, number front/rear (x=driven wheels)		1x + 2 / 4	1x + 2 / 4	1x + 2 / 4
3.6	Track width, front	b ₁₀ [mm]	585	585	585
3.7	Track width, rear	b ₁₁ [mm]	370	370	390
DIMENSIONS					
4.2	Height, mast lowered	h ₁ [mm]	1946	1946	1946
4.3	Free lift	h ₂ [mm]	1478	1478	1378
4.4	Lift	h ₃ [mm]	4060	4060	3960
	Lift height	h ₂₃ [mm]	4150	4150	4050
4.5	Height, mast extended	h ₄ [mm]	4668	4668	4668
4.6	Initial lift	h ₅ [mm]	120	120	120
4.9	Height of tiller in drive position, min./max.	h ₁₄ [mm]	869/1294	869/1294	869/1294
4.15	Height, fork lowered	h ₁₃ [mm]	90	90	90
4.19	Overall length	l ₁ [mm]	2045	2045	2056
4.20	Length to face of forks	l ₂ [mm]	895	895	906
4.21	Overall width	b ₁ /b ₂ [mm]	790/—	790/—	790/—
4.22	Fork dimensions	s/e/l [mm]	70/180/1150	70/180/1150	70/185/1150
4.25	Width over forks	b ₅ [mm]	570	570	575
4.32	Ground clearance, centre of wheelbase	m ₂ [mm]	19,5	19,5	19,5
4.33	Aisle width for pallets 1000x1200 crossways	A _{st} [mm]	2448	2448	2458
4.34	Aisle width for pallets 800x1200 lengthways	A _{st} [mm]	2340	2340	2353
4.35	Turning radius	W _a [mm]	1493	1493	1590
PERFORMANCE DATA					
5.1	Travel speed, with/without load	[km/h]	6,0/6,0	6,0/6,0	6,0/6,0
5.2	Lift speed, with/without load	[m/s]	0,17/0,33	0,15/0,31	0,13/0,24
5.3	Lowering speed, with/without load	[m/s]	0,45/0,45	0,45/0,45	0,38/0,45
5.8	Max. gradeability, with/without load	[%]	7/12 ¹⁾	7/12 ¹⁾	7/12 ¹⁾
5.9	Acceleration time (over 10 m)	[s]	7,1	7,2	7,4
5.10	Service brake		Electromagnetic	Electromagnetic	Electromagnetic
ELECTRIC MOTOR					
6.1	Drive motor rating S2 60 min	[kW]	1,8	1,8	1,8
6.2	Lift motor rating at S3 15%	[kW]	3	3	3
6.4	Battery voltage/nominal capacity K _s	[V/Ah]	24/300	24/300	24/300
6.5	Battery weight	[kg]	195-310	195-310	195-310
6.6	Energy consumption acc to VDI cycle	[kW/h/h]	1,078	1,078	
OTHERS					
8.1	Type of drive control		CESAB Drive Control	CESAB Drive Control	CESAB Drive Control
8.4	Sound level at the driver's ear according to EN 12 053	[dB (A)]	66	66	67

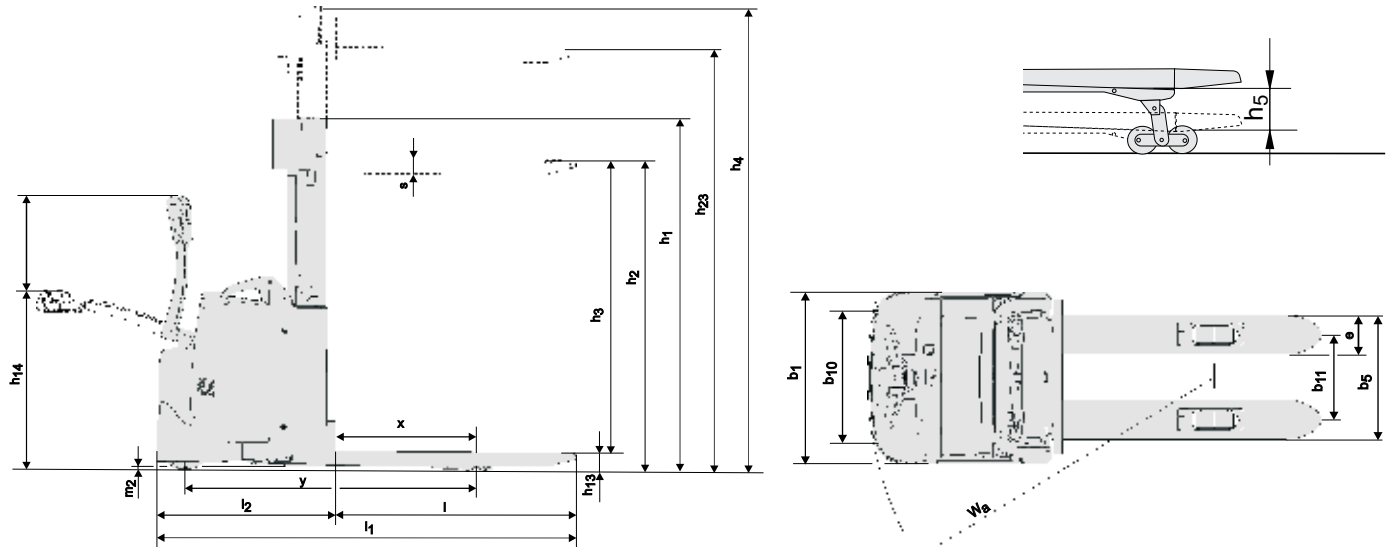
¹⁾ Measured according to company standard. 8/12 with 1600 kg on the support arms.

Data is based on standard configurations.

Truck performance and dimensions are nominal and subject to tolerances. Products and specifications are subject to change without notice.



CESAB S215L - S216L - S220L Dimensional Drawings



Battery compartments

		S215L				S216L				S220L				
Battery change		Lift out		Sideways		Lift out		Sideways		Lift out		Sideways		
Battery compartment		S	L	S	L	S	L	S	L	S	L	S	L	
1.9	Wheelbase raised support arms	y [mm]	1397	1494	1397	1494	1397	1494	1397	1494	1397	1494	1397	1494
	Wheelbase lowered support arms	y [mm]	1428	1525	1428	1525	1428	1525	1428	1525	1428	1525	1428	1525
4.19	Overall length	l ₁ [mm]	2045	2142	2045	2142	2045	2142	2045	2142	2056	2153	2056	2153
4.20	Length to face of forks	l ₂ [mm]	895	992	895	992	895	992	895	992	906	1003	906	1003
4.33	Aisle width for pallets 1000x1200 crossways	A _{st} [mm]	2448	2545	2448	2545	2448	2545	2448	2545	2458	2555	2458	2555
4.34	Aisle width for pallets 800x1200 lengthways	A _{st} [mm]	2340	2437	2340	2437	2340	2437	2340	2437	2353	2450	2353	2450
4.35	Turning radius	W _a [mm]	1493	1590	1493	1590	1493	1590	1493	1590	1493	1590	1493	1590
6.4	Battery voltage, nominal capacity K _s	[V/Ah]	24/300	24/500	24/300	24/500	24/300	24/500	24/300	24/500	24/300	24/500	24/300	24/500
6.5	Battery weight, min.—max.	[kg]	195-310	345-405	195-310	345-405	195-310	345-405	195-300	345-405	195-310	345-405	195-310	345-405

Mast Specifications

S215L	Duplex Tele Open View					Duplex Freelifft					Triplex Freelifft								
h ₂₃ Lift height (h ₁₃ +h ₃)	[mm]	2350	2800	3300	3700	4150	2350	2500	2800	3300	3700	4150	3300	3700	3950	4150	4500	4800	5400
h ₃ Lift	[mm]	2260	2710	3210	3610	4060	2260	2410	2710	3210	3610	4060	3210	3610	3860	4060	4410	4710	5310
h ₁ Height, mast lowered	[mm]	1744	1969	2219	2419	2644	1743	1818	1968	2218	2418	2643	1671	1805	1888	1955	2071	2171	2371
h ₂ Free lift, ground to top of forks	[mm]	—	—	—	—	—	1256	1332	1482	1732	1932	2156	1194	1328	1410	1478	1594	1694	1894
h ₄ Height, mast extended	[mm]	2892	3342	3842	4242	4692	2891	3041	3341	3841	4241	4691	3816	4218	4467	4668	5016	5316	5916

S216L	Duplex Tele Open View					Duplex Freelifft					Triplex Freelifft									
h ₂₃ Lift height (h ₁₃ +h ₃)	[mm]	2350	2800	3300	3700	4150	2350	2500	2800	3300	3700	4150	3300	3700	3950	4150	4500	4800	5400	6000
h ₃ Lift	[mm]	2260	2710	3210	3610	4060	2260	2410	2710	3210	3610	4060	3210	3610	3860	4060	4410	4710	5310	5910
h ₁ Height, mast lowered	[mm]	1744	1969	2219	2419	2644	1743	1818	1968	2218	2418	2643	1671	1805	1888	1955	2071	2171	2371	2571
h ₂ Free lift, ground to top of forks	[mm]	—	—	—	—	—	1256	1332	1482	1732	1932	2156	1194	1328	1410	1478	1594	1694	1894	2096
h ₄ Height, mast extended	[mm]	2892	3342	3842	4242	4692	2891	3041	3341	3841	4241	4691	3816	4218	4467	4668	5016	5316	5916	6520

S220L	Duplex Tele Open View					Duplex Freelifft					Triplex Freelifft									
h ₂₃ Lift height (h ₁₃ +h ₃)	[mm]	2150	2600	3100	3500	3950	2150	2300	2600	3100	3500	3950	3200	3600	3850	4050	4400			
h ₃ Lift	[mm]	2060	2510	3010	3410	3860	2060	2210	2510	3010	3410	3860	3110	3510	3760	3960	4310			
h ₁ Height, mast lowered	[mm]	1744	1969	2219	2419	2644	1744	1819	1969	2219	2419	2644	1671	1805	1888	1955	2071			
h ₂ Free lift, ground to top of forks	[mm]	—	—	—	—	—	1156	1232	1382	1632	1832	2056	1094	1228	1310	1378	1494			
h ₄ Height, mast extended	[mm]	2792	3242	3742	4142	4592	2792	2942	3242	3742	4142	4592	3816	4218	4467	4668	5016			

CESAB S214S Truck Specifications

CHARACTERISTICS				Straddle Support Arms
1.1	Manufacturer			CESAB
1.2	Model			S214S
1.3	Drive			Electric
1.4	Operator type			Pedestrian
1.5	Load capacity/rated load	Q	[kg]	1400
1.6	Load centre	c	[mm]	600
1.8	Load distance, centre of support arm wheel to face of forks	x	[mm]	758
1.9	Wheelbase	y	[mm]	1443
WEIGHT				
2.1	Service weight including battery		[kg]	1509
2.2	Axle load, with load, drive/castor/support arm wheel		[kg]	510/625/1774
2.3	Axle load, without load, drive/castor/support arm wheel		[kg]	360/630/519
WHEELS				
3.1	Drive/support arm wheel			Friction/Vulkollan®/Vulkollan®
3.2	Wheel size, front		[mm]	Ø 230
3.3	Wheel size, rear		[mm]	Ø 140/ Ø 85
3.4	Additional wheel size		[mm]	Ø 125
3.5	Wheels, number front/rear (x=driven wheels)			1x + 2 / 2 or 4
3.6	Track width, front		[mm]	585
3.7	Track width, rear	b ₁₁	[mm]	985
DIMENSIONS				
4.2	Height, mast lowered	h ₁	[mm]	1946
4.3	Free lift	h ₂	[mm]	1478
4.4	Lift	h ₃	[mm]	4060
	Lift height	h ₂₃	[mm]	4100
4.5	Height, mast extended	h ₄	[mm]	4668
4.9	Height of tiller in drive position, min./max.	h ₁₄	[mm]	869/1294
4.10	Height of support arm	h ₁₀	[mm]	140 or 93
4.15	Height, fork lowered	h ₁₃	[mm]	50
4.19	Overall length	l ₁	[mm]	2041
4.20	Length to face of forks	l ₂	[mm]	891
4.21	Overall width	b ₁ /b ₂	[mm]	790/1172
4.22	Fork dimensions	s/e/l	[mm]	40/100/1150
4.25	Width over forks	b ₅	[mm]	250-890
4.26	Distance between support arms	b ₄	[mm]	900-1300
4.32	Ground clearance, centre of wheelbase	m ₂	[mm]	40/32,5
4.33	Aisle width for pallets 1000x1200 crossways	A _{st}	[mm]	2517
4.34	Aisle width for pallets 800x1200 lengthways	A _{st}	[mm]	2396
4.35	Turning radius	W _a	[mm]	1600
PERFORMANCE DATA				
5.1	Travel speed, with/without load		[km/h]	6,0/6,0
5.2	Lift speed, with/without load		[m/s]	0,17/0,33
5.3	Lowering speed, with/without load		[m/s]	0,45/0,45
5.8	Max. gradeability, with/without load ¹⁾		[%]	8/12
5.9	Acceleration time (over 10 m)		[s]	7,1
5.10	Service brake			Electromagnetic
ELECTRIC MOTOR				
6.1	Drive motor rating S2 60 min		[kW]	1,8
6.2	Lift motor rating at S3 15%		[kW]	3
6.4	Battery voltage/nominal capacity K ₅		[V/Ah]	24/300
6.5	Battery weight		[kg]	195-270
6.6	Energy consumption acc to VDI cycle		[kW/h/h]	1,078
OTHERS				
8.1	Type of drive control			CESAB Drive Control
8.4	Sound level at the driver's ear according to EN 12 053		[dB (A)]	66

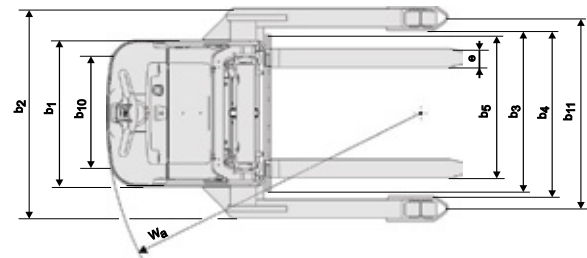
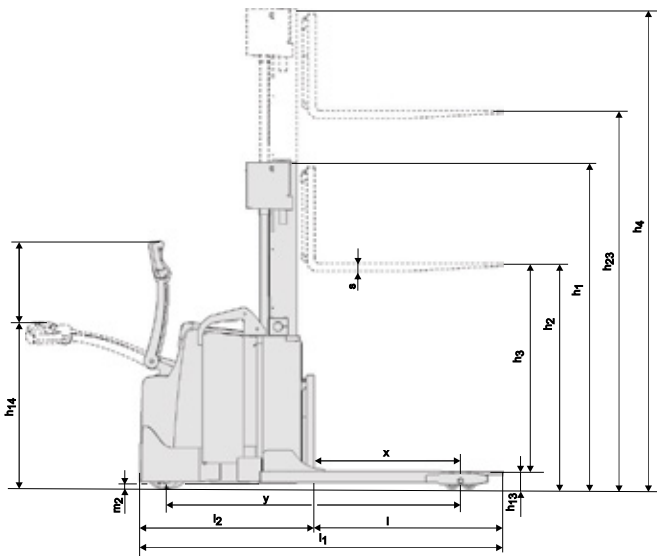
¹⁾ Measured according to company standard

Data is based on standard configurations.

Truck performance and dimensions are nominal and subject to tolerances.
Products and specifications are subject to change without notice.



CESAB S214S Dimensional Drawings



Battery compartments

			S214S	
			LIFT OUT	
Battery compartment			S	L
1.9	Wheelbase	y [mm]	1443	1540
4.19	Overall length	l ₁ [mm]	2041	2138
4.20	Length to face of forks	l ₂ [mm]	891	988
4.33	Aisle width for pallets 1000x1200 crossways	A _{st} [mm]	2517	2615
4.34	Aisle width for pallets 800x1200 lengthways	A _{st} [mm]	2396	2494
4.35	Turning radius	W _a [mm]	1600	1698
6.4	Battery voltage, nominal capacity K _s	[V/Ah]	24/300	24/500
6.5	Battery weight, min.—max.	kg	195-270	345-403

Mast Specifications

S214S		Duplex Tele Open View					Duplex Freelift					Triplex Freelift							
h ₂₃	Lift height (h ₁₃ +h ₃)	[mm]	2300	2750	3250	3650	4100	2300	2450	2750	3250	3650	4100	3650	3900	4100	4450	4750	5350
h ₃	Lift	[mm]	2210	2660	3160	3560	4010	2210	2360	2660	3160	3560	4010	3560	3810	4010	4360	4660	5260
h ₁	Height, mast lowered	[mm]	1744	1969	2219	2419	2644	1743	1818	1968	2218	2418	2643	1805	1888	1955	2071	2171	2371
h ₂	Free lift, ground to top of forks	[mm]	—	—	—	—	—	1256	1332	1482	1732	1932	2156	1328	1410	1478	1594	1694	1894
h ₄	Height, mast extended	[mm]	2892	3342	3842	4242	4692	2891	3041	3341	3841	4241	4691	4218	4467	4668	5016	5316	5916

